

# Electric Parallel Grippers

## EIG2-13050 2-Finger

EIG is an electric 2-finger parallel gripper that is equipped with two symmetrically parallel fingers.

### Advantages

- Compact size
- Slim rectangular body with five installation positions for flexible mounting
- Grip control: force and position adjustment
- Quick open/close time with speed adjustment
- Grip feedback and part detection: gripper status can be read at the PLC/Controller and visualized on the unit via LED's
- Multiple communication modes: the gripper supports Modbus RTU protocol and IO mode control. Other protocols such as USB and ETHERNET can be implemented through a protocol converter.
- Grip actuation via embedded controller.
- Brake locking mechanism on request.



## SPECIFICATIONS

Model	Stroke per Jaw	Gripping Force per Jaw	Total Gripping Force	Opening / Closing Time	Nominal Voltage	Nominal Current	Max Current	Repeatability (Positioning)	Recommended Workpiece Weight*	Weight
<b>EIG2-13050</b>	13 mm 0.51 in	15 - 50 N 3.37 - 11.24 lb	30 - 100 N 6.74 - 22.48 lb	0.3 / 0.3 s	24 V DC ± 10%	0.25 A	0.50 A	± 0.02 mm ± 0.001 in	1.00 kg 2.20 lb	0.40 kg 0.88 lb

\* Recommended workpiece weight depends on the shape of the part, the material and friction of the contact surface and the acceleration of the motion.

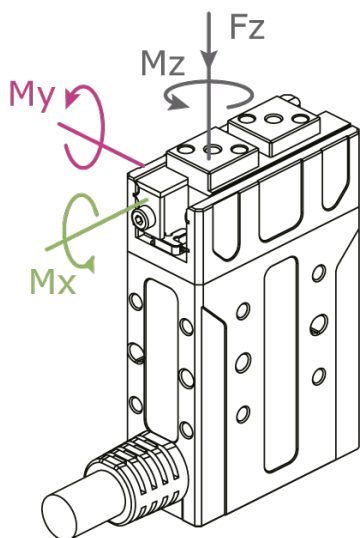
Communication Interface **Standard: Modbus RTU (RS485), Digital I/O**  
**Optional: TCP/IP, USB2.0, CAN2.0A, PROFINET, EtherCAT**

IP Protection Class **IP 40**

Noise Emission (Sound Pressure)  $\leq 40$  dB(A) in any direction

Recommended operating environment **0-40 °C (32-104 °F), < 85% RH**

For this type of gripper the use of the standard fingers is recommended.



### Allowable vertical load (static)

Fz 150 N (33.72 lb)

### Allowable moment (static)

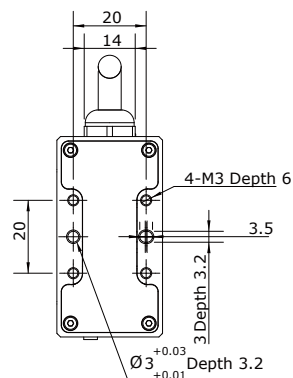
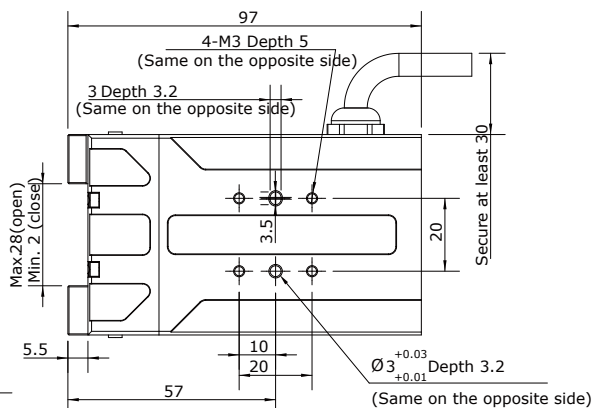
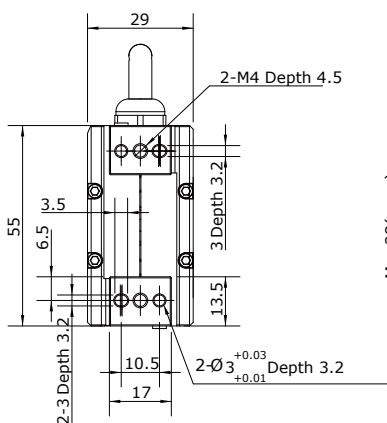
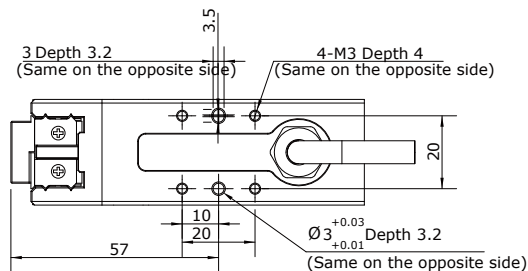
Mx 2.5 Nm (22.13 in-lb)

My 2.0 Nm (17.70 in-lb)

Mz 3.0 Nm (26.55 in-lb)

# PRODUCT INFORMATION

# EIG2-13050 2-Finger



Applied Robotics Inc.  
648 Saratoga Road  
Glenville, NY 12302 USA  
Tel. +1 518 384 1000 Fax +1.5183841200  
info@appliedrobotics.com  
www.appliedrobotics.com



EFFECTO GROUP S.p.A.  
Via Roma, 141/143  
28017 San Maurizio d'Opaglio (NO) - Italy  
Tel. +39 0322 96142 Fax +39 0322 967453  
info@effectogroup.com  
www.effecto.com

