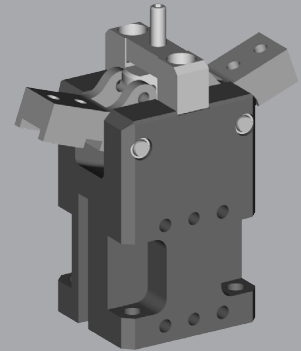


Pneumatic Angular Grippers OF 2-Finger

OF is an angular gripper for universal use in clean or dirty environments. Suitable for space sensitive applications

Advantages

- Slim design allows multiple grippers to be arranged in a row.
- Available a range of piston plate diameters from 20 to 32 mm.
- Light, compact design for space-saving handling without interference.
- Integrated permanent magnets for direct monitoring of piston movement.
- Slots for mounting and positioning of magnetic-field sensors.

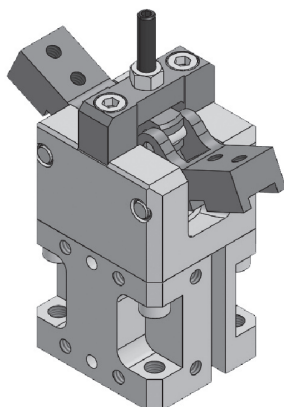


SPECIFICATIONS

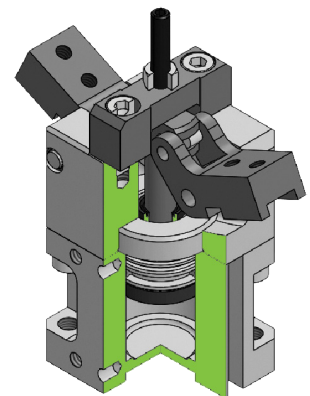
| Model | Stroke Per Jaw | Air Consumption Per Cycle (Dual Stroke) | Closing Force Per Jaw @ 6 bar | Opening Force Per Jaw @ 6 bar | Total Closing Force @ 6 bar | Total Opening Force @ 6 bar | Recommended Workpiece Weight* | Weight | Repeatability |
|-------|----------------|---|-------------------------------|-------------------------------|-----------------------------|-----------------------------|-------------------------------|---------|---------------|
| OF 20 | 80° | 7.6 cm ³ | 28.7 N | 32.6 N | 57.4 N | 65.2 N | 0.29 kg | 0.25 kg | ± 0.05 mm |
| | | 0.46 in ³ | 6.5 lb | 7.3 lb | 12.9 lb | 14.7 lb | 0.60 lb | 0.55 lb | ± 0.002 in |
| OF 25 | 80° | 16.2 cm ³ | 60 N | 67 N | 120 N | 134 N | 0.60 kg | 0.45 kg | ± 0.05 mm |
| | | 0.99 in ³ | 13.5 lb | 15.1 lb | 27.0 lb | 30.1 lb | 1.30 lb | 0.99 lb | ± 0.002 in |
| OF 32 | 85° | 32.2 cm ³ | 118 N | 130 N | 236 N | 260 N | 1.18 kg | 0.78 kg | ± 0.05 mm |
| | | 1.96 in ³ | 26.5 lb | 29.2 lb | 53.1 lb | 58.4 lb | 2.60 lb | 1.72 lb | ± 0.002 in |

* Recommended workpiece weight is calculated for force-fit gripping with a coefficient of static friction of 0.15 and a safety factor of 3 against workpiece slippage.
 Operating Pressure **3 - 8 bar (29 - 116 psi)**
 Working Temperature **5 - 60 °C (41 - 140 °F)**
 Noise Emission (Sound Pressure) **≤ 70 dB(A) in any direction**

SECTIONAL DIAGRAM



Guidelines for the selection of a gripper model
 Selection of the correct gripper model depends on the workpiece's weight, the friction coefficient between the fingers and the workpiece and the required motion of the application. Due to inertial forces associated with motion, we recommend that the holding force of the gripper model should be from 10 to 20 times the workpiece's weight. If the application presents high acceleration/deceleration or impacts during the motion, then a further safety margin should be considered.

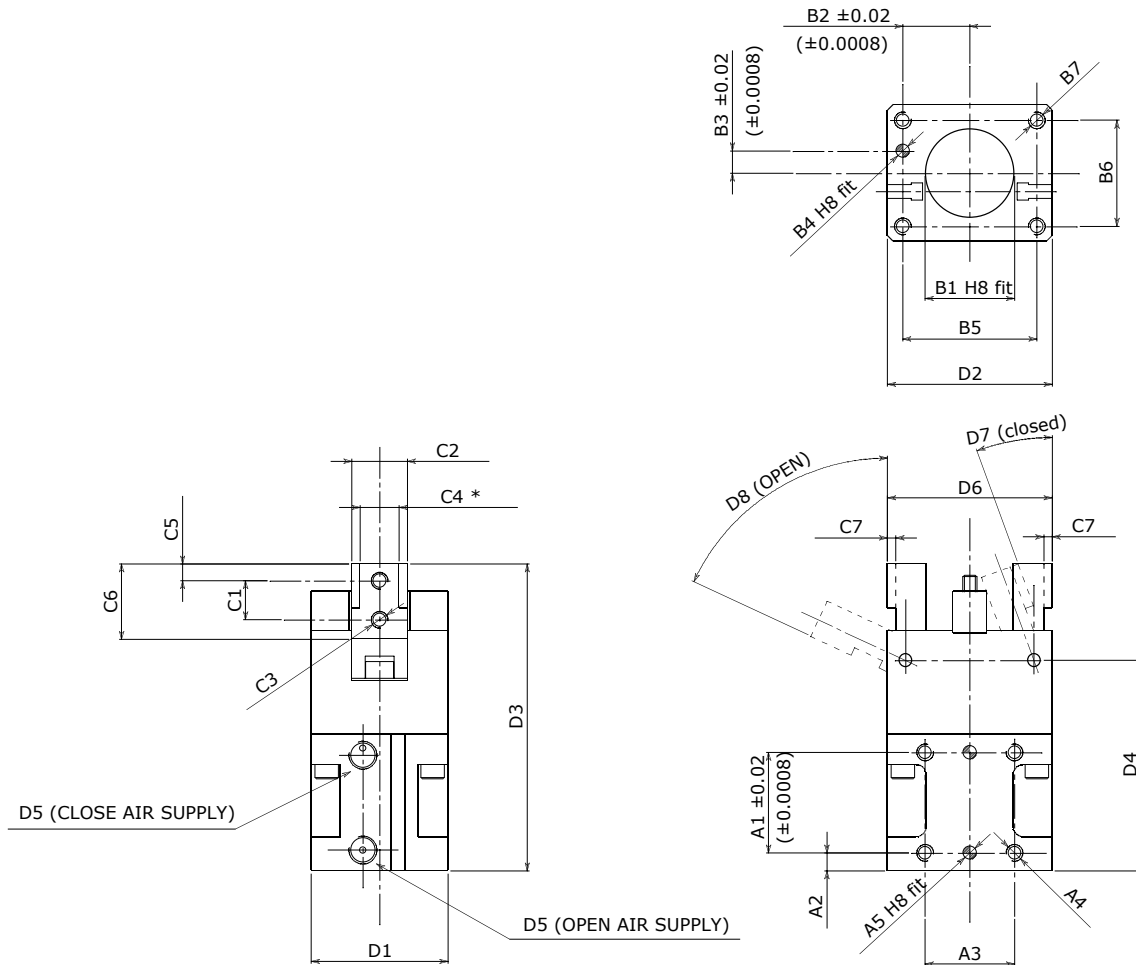


PRODUCT INFORMATION

OF 2-Finger

Body dowel hole depth $\geq 1 d$

C4* Up to 6 mm = 0/+0.025 mm - From 6 mm to 10 mm = 0/+0.030 mm - Over 10 mm = 0/+0.040 mm



Options

- Mounting brackets for inductive proximity switches
- Magnetic switches

| | Mounting - Option # 1 | | | | | Mounting - Option # 2 | | | | | | |
|--------------|-----------------------|---------------|--------------|----|-------------|-----------------------|--------------|-------------|-------------|--------------|--------------|----|
| | A1 | A2 | A3 | A4 | A5 | B1 | B2 | B3 | B4 | B5 | B6 | B7 |
| OF 20 | 28.0 (1.10) | 4.5 (0.18) | 18 (0.71) | M4 | 4 (0.16) | 20.00 (0.79) | 14 (0.55) | 4 (0.16) | 4 (0.16) | 28 (1.10) | 22 (0.87) | M5 |
| OF 25 | 32.0 (1.26) | 5.5 (0.22) | 20 (0.79) | M5 | 4 (0.16) | 25.00 (0.98) | 18 (0.71) | 5 (0.20) | 5 (0.20) | 36 (1.42) | 30 (1.18) | M6 |
| OF 32 | 36.0 (1.42) | 6.5 (0.26) | 32 (1.26) | M6 | 5 (0.20) | 32.00 (1.26) | 24 (0.94) | 8 (0.31) | 5 (0.20) | 48 (1.89) | 38 (1.50) | M6 |

| | Finger Application | | | | | | | Informational Dimensions | | | | | | | |
|--------------|--------------------|--------------|----|--------------|-------------|--------------|-------------|--------------------------|--------------|---------------|----------------|------|--------------|-----|-----|
| | C1 | C2 | C3 | C4 | C5 | C6 | C7 | D1 | D2 | D3 | D4 | D5 | D6 | D7 | D8 |
| OF 20 | 8 (0.31) | 12 (0.47) | M4 | 8 (0.31) | 4 (0.16) | 17 (0.67) | 3 (0.12) | 32 (1.26) | 38 (1.50) | 75 (2.95) | 54 (2.13) | M5 | 38 (1.50) | 15° | 65° |
| OF 25 | 10 (0.39) | 16 (0.63) | M5 | 10 (0.39) | 5 (0.20) | 21 (0.83) | 3 (0.12) | 41 (1.61) | 47 (1.85) | 90 (3.54) | 63.5 (2.50) | M5 | 47 (1.85) | 15° | 65° |
| OF 32 | 14 (0.55) | 20 (0.79) | M6 | 14 (0.55) | 6 (0.24) | 27 (1.06) | 3 (0.12) | 49 (1.93) | 59 (2.32) | 110 (4.33) | 75.5 (2.97) | G1/8 | 59 (2.32) | 20° | 65° |

* Dimensions are in millimeters (inches).

** All dimensions are descriptive and subject to variation for technical upgrading. We reserve the right to make variations without prior notification



Applied Robotics
648 Saratoga Road
Glenville, NY 12302 USA

Tel. +1 518 384 1000 Fax +1.5183841200
info@appliedrobotics.com
www.appliedrobotics.com



EFFECTO GROUP S.p.A.
Via Roma, 141/143

28017 San Maurizio d'Opaglio (NO) - Italy
Tel. +39 0322 96142 Fax +39 0322 967453
info@effectogroup.com
www.effecto.com

