

# Electric Centric Grippers

## EIG3-65100 3-Finger

EIG is an electric 3-finger centric gripper that is equipped with three symmetrically rotating fingers.

### Advantages

- Smooth body
- Precise planetary gear drive
- Grip control: force and position adjustment
- Quick open/close time with speed adjustment
- Grip feedback and part detection: gripper status can be read at the PLC/Controller and visualized on the unit via LED's
- Multiple communication modes: the gripper supports Modbus RTU protocol and IO mode control. Other protocols such as USB and ETHERNET can be implemented through a protocol converter
- Grip actuation via embedded controller.
- Brake locking mechanism



## SPECIFICATIONS

Model	Gripping Diameter	Gripping Force per Jaw	Total Gripping Force	Opening/ Closing Time	Nominal Voltage	Nominal Current	Max Current	Repeatability (Positioning)	Recommended Workpiece Weight*	Weight
<b>EIG3-65100</b>	40 - 170 mm 1.6 - 6.7 in	30 - 100 N 6.7 - 22.5 lb	90 - 300 N 20.2 - 67.4 lb	0.5 / 0.5 s	24 V DC ± 10%	0.40 A	1.00 A	± 0.03 mm ± 0.001 in	1.5 kg 3.31 lb	1.5 kg 3.31 lb

\* Recommended workpiece weight depends on the shape of the part, the material and friction of the contact surface and the acceleration of the motion.

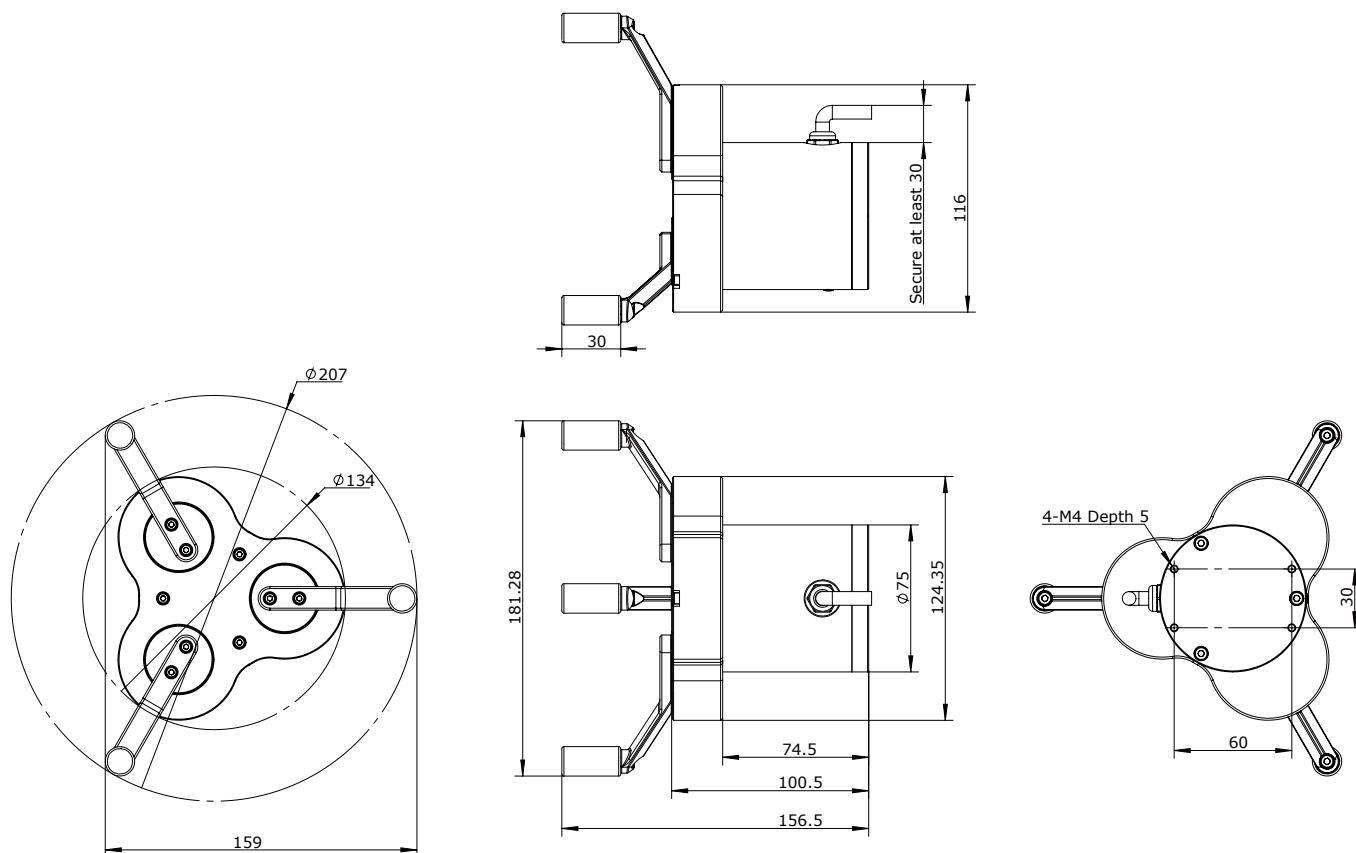
Communication Interface **Standard: Modbus RTU (RS485), Digital I/O**  
**Optional: TCP/IP, USB2.0, CAN2.0A, PROFINET, EtherCAT**

IP Protection Class **IP 40**  
Noise Emission (Sound Pressure) **≤ 40 dB(A) in any direction**  
Recommended operating environment **0-40 °C (32-104 °F), < 85% RH**

For this type of gripper the use of the standard fingers is recommended.

# PRODUCT INFORMATION

# EIG3-65100 3-Finger



**Applied Robotics™**  
A COMPANY OF EFFECTO®

Applied Robotics Inc.  
648 Saratoga Road  
Glenville, NY 12302 USA  
Tel. +1 518 384 1000 Fax +1.5183841200  
info@appliedrobotics.com  
www.appliedrobotics.com



EFFECTO GROUP S.p.A.  
Via Roma, 141/143  
28017 San Maurizio d'Opaglio (NO) - Italy  
Tel. +39 0322 96142 Fax +39 0322 967453  
info@effectogroup.com  
www.effecto.com

